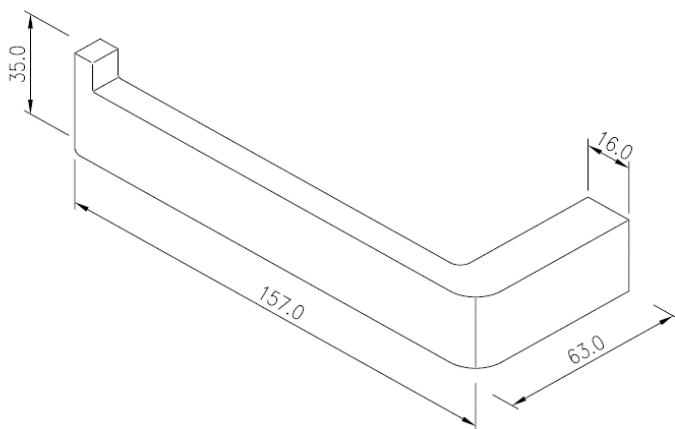


## Linea Toilet Roll Holder (Left)

LI-1309L

Finish: Chrome, Matt Black



Just as the name suggests the Linea Collection is a beautiful flowing range of accessories that combine contemporary straight lines and form with gentle rolling curves making it the ideal selection for your next project. Dual point fixings ensure the accessories are well anchored to the fixing surface and with solid brass componentry the collection is robust and ideally suited to hotel environments.

**WARRANTY**  
**7 years**  
\*Conditions apply

**BEZZONI**  
BY BARBEN

www.barben.com.au | Ph: 07 3890 8558

Dimensions are in millimetres and are subject to manufacturing variations. Barben reserves the right to vary specifications at any time without notice. Please confirm all particulars with our sales consultants prior to purchasing the product.

Version:1 2020