

# Cabinet

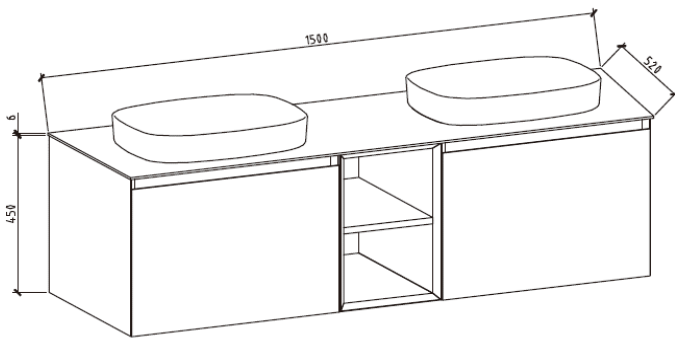
## Cabinet

### CAB- SIENA

---

Countertop: Sintered stone slab.

Cabinet: Melamine board (MFC), unique multiple drawer design, own patent for the ultrathin ABS U-shape pipeline access, DTC soft closing damping (no hinges), 45 ° oblique cut invisible drawer handle.



**WARRANTY**

**1 year**

\*Conditions apply

---

**BEZZONI**  
BY BARBEN

[www.barben.com.au](http://www.barben.com.au) | Ph: 07 3890 8558

Dimensions are in millimetres and are subject to manufacturing variations. Barben reserves the right to vary specifications at any time without notice. Please confirm all particulars with our sales consultants prior to purchasing the product.

Version:1 2020