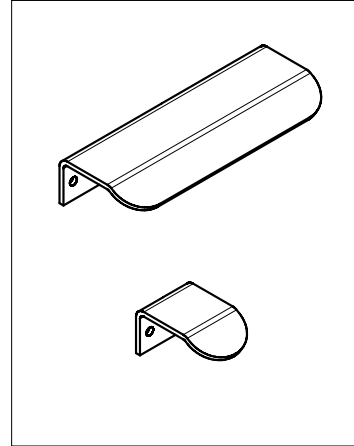
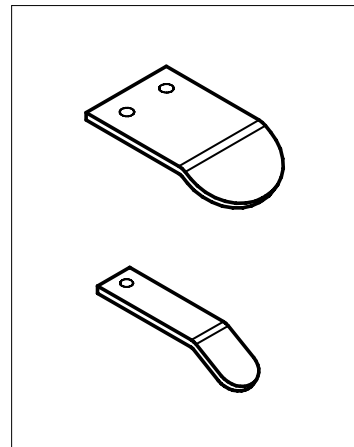


BAC-LP1



CODE	SECTION	PROJECTION	LENGTH	DIMENSIONS	FINISH
BAC-LP1/A	2	50	25	30 x 50 x 10	SSS
BAC-LP1/B	2	50	100	30 x 50 x 10	SSS
BAC-LP1/C	2	50	200	30 x 50 x 10	SSS
BAC-LP1/D	2	50	300	30 x 50 x 10	SSS

BAC-LP2



CODE	SECTION	PROJECTION	LENGTH	DIMENSIONS	FINISH
BAC-LP2/A	2	45	10	45 x 10	SSS
BAC-LP2/B	2	45	25	45 x 10	SSS