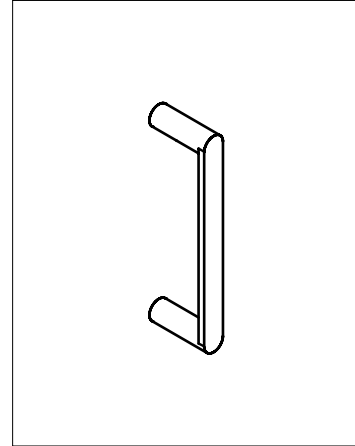
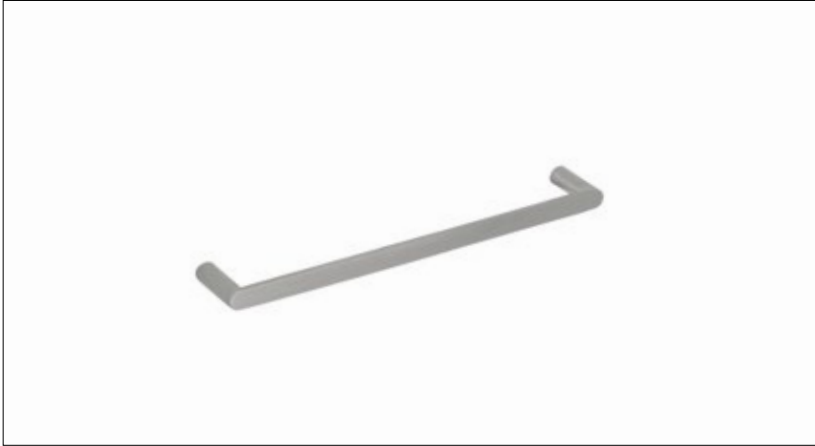
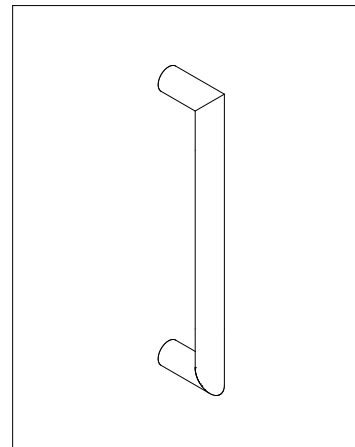


BAC-166



| CODE | SECTION | PROJECTION | LENGTH | CTC | FINISH |
|-----------|-------------|------------|--------|-----|--------|
| BAC-166/A | 10 / 10 x 3 | 30 | 100 | 90 | SSS |
| BAC-166/B | 10 / 10 x 3 | 30 | 150 | 140 | SSS |
| BAC-166/C | 10 / 10 x 3 | 30 | 200 | 190 | SSS |
| BAC-166/D | 10 / 10 x 3 | 30 | 250 | 240 | SSS |
| BAC-166/E | 10 / 10 x 3 | 30 | 300 | 290 | SSS |

BAC-167



| CODE | SECTION | PROJECTION | LENGTH | CTC | FINISH |
|-----------|---------|------------|--------|-----|--------|
| BAC-167/A | 12 | 30 | 150 | 138 | SSS |
| BAC-167/B | 12 | 30 | 200 | 188 | SSS |
| BAC-167/C | 12 | 30 | 300 | 288 | SSS |