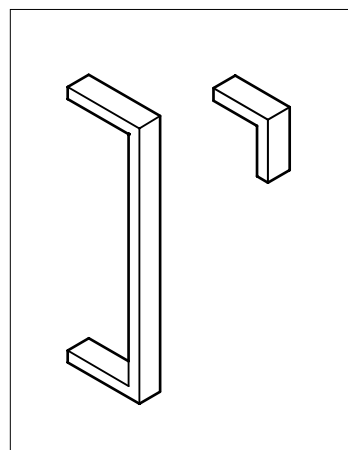
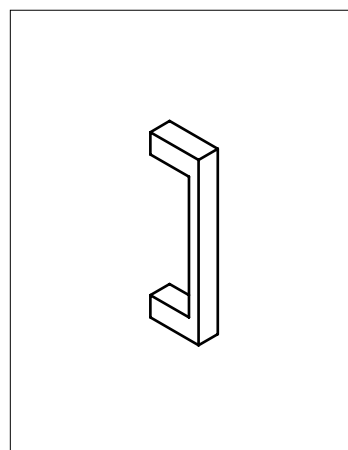


BAC-157



CODE	SECTION	PROJECTION	LENGTH	CTC	FINISH
BAC-157/A	12 x 6	30	30 x 30		SSS
BAC-157/B	12 x 6	30	38	32	SSS
BAC-157/C	12 x 6	30	102	96	SSS
BAC-157/D	12 x 6	30	134	128	SSS
BAC-157/E	12 x 6	30	166	160	SSS
BAC-157/F	12 x 6	30	226	220	SSS

BAC-165



CODE	SECTION	PROJECTION	LENGTH	CTC	FINISH
BAC-165/A	12 x 6 /12 x 12	30	100	88	SSS
BAC-165/B	12 x 6 /12 x 12	30	150	138	SSS
BAC-165/C	12 x 6 /12 x 12	30	300	288	SSS